

## SPECIFICATIONS

# USB-6215

Isolated 16 AI (16-Bit, 250 kS/s), 2 AO (250 kS/s), 4 DI, 4 DO USB Multifunction I/O Device

## Definitions

---

*Warranted* specifications describe the performance of a model under stated operating conditions and are covered by the model warranty.

The following characteristic specifications describe values that are relevant to the use of the model under stated operating conditions but are not covered by the model warranty.

- *Typical* specifications describe the performance met by a majority of models.
- *Nominal* specifications describe an attribute that is based on design, conformance testing, or supplemental testing.

Specifications are *Typical* unless otherwise noted.

## Conditions

---

Specifications are valid at 25 °C unless otherwise noted.

## Analog Input

---

Number of channels	8 differential or 16 single ended
ADC resolution	16 bits
DNL	No missing codes guaranteed
INL	Refer to the <i>AI Absolute Accuracy</i> section
Sample rate	
Single channel maximum	250 kS/s
Multichannel maximum (aggregate)	250 kS/s
Minimum	0 S/s
Timing accuracy	50 ppm of sample rate
Timing resolution	50 ns

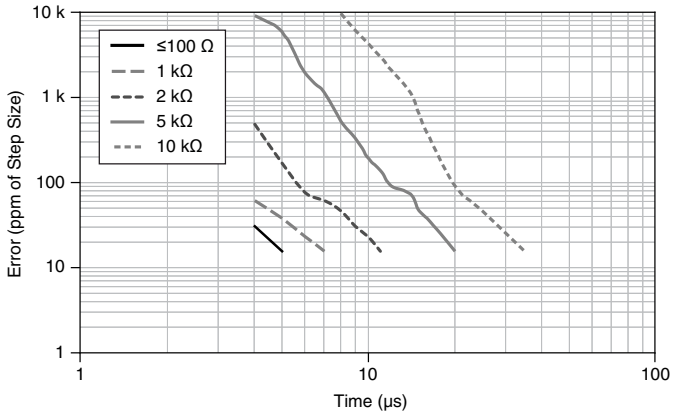
Input coupling	DC
Input range	$\pm 0.2\text{ V}$ , $\pm 1\text{ V}$ , $\pm 5\text{ V}$ , $\pm 10\text{ V}$
Maximum working voltage for analog inputs (signal + common mode)	$\pm 10.4\text{ V}$ of AI GND
CMRR (DC to 60 Hz)	100 dB
Input impedance	
Device on	
AI+ to AI GND	$>10\text{ G}\Omega$ in parallel with 100 pF
AI- to AI GND	$>10\text{ G}\Omega$ in parallel with 100 pF
Device off	
AI+ to AI GND	1,200 $\Omega$
AI- to AI GND	1,200 $\Omega$
Input bias current	$\pm 100\text{ pA}$
Crosstalk (at 100 kHz)	
Adjacent channels	-75 dB
Non-adjacent channels	-90 dB
Small signal bandwidth (-3 dB)	450 kHz
Input FIFO size	4,095 samples
Scan list memory	4,095 entries
Data transfers	USB Signal Stream, programmed I/O
Overvoltage protection for all analog input and sense channels	
Device on	$\pm 30\text{ V}$ for up to two AI pins
Device off	$\pm 20\text{ V}$ for up to two AI pins
Input current during overvoltage condition	$\pm 20\text{ mA}$ maximum/AI pin

## Settling Time for Multichannel Measurements

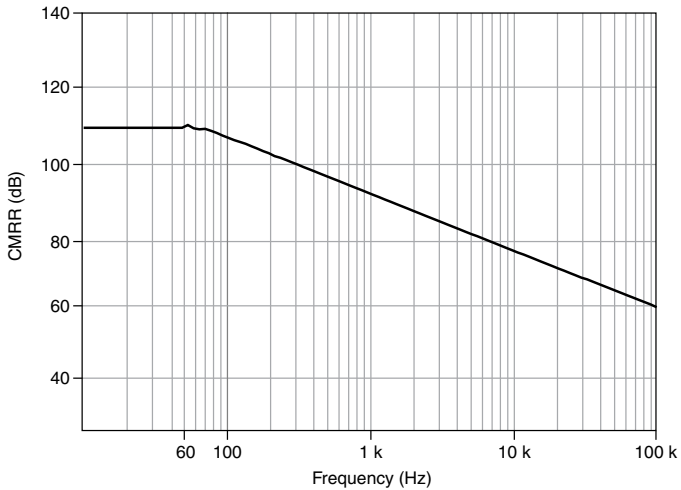
Accuracy, full-scale step, all ranges	
$\pm 90$ ppm of step ( $\pm 6$ LSB)	4 $\mu\text{s}$ convert interval
$\pm 30$ ppm of step ( $\pm 2$ LSB)	5 $\mu\text{s}$ convert interval
$\pm 15$ ppm of step ( $\pm 1$ LSB)	7 $\mu\text{s}$ convert interval

# Typical Performance Graphs

**Figure 1.** Settling Error versus Time for Different Source Impedances



**Figure 2.** AI CMRR



## AI Absolute Accuracy (Warranted)



**Note** Accuracies listed are valid for up to one year from the device external calibration.



**Note** The input/output channels of this device are not protected for electromagnetic interference due to functional reasons. As a result, this device may experience

reduced measurement accuracy or other temporary performance degradation when connected cables are routed in an environment with radiated or conducted radio frequency electromagnetic interference. To ensure that this device functions within specifications in its operational electromagnetic environment and to limit radiated emissions, care should be taken in the selection, design, and installation of measurement probes and cables.

**Table 1. AI Absolute Accuracy**

Nominal Range Positive Full Scale (V)	Nominal Range Negative Full Scale (V)	Residual Gain Error (ppm of Reading)	Residual Offset Error (ppm of Range)	Offset Tempco (ppm of Range/°C)	Random Noise, $\sigma$ ( $\mu$ Vrms)	Absolute Accuracy at Full Scale ( $\mu$ V)	Sensitivity ( $\mu$ V)
10	-10	75	20	34	229	2,690	91.6
5	-5	85	20	36	118	1,410	47.2
1	-1	95	25	49	26	310	10.4
0.2	-0.2	135	40	116	12	88	4.8



**Note** Sensitivity is the smallest voltage change that can be detected. It is a function of noise.

Gain tempco 7.3 ppm/°C

Reference tempco 5 ppm/°C

INL error 76 ppm of range

## AI Absolute Accuracy Equation

$$AbsoluteAccuracy = Reading \cdot (GainError) + Range \cdot (OffsetError) + NoiseUncertainty$$

$$GainError = ResidualAIGainError + GainTempco \cdot (TempChangeFromLastInternalCal) + ReferenceTempco \cdot (TempChangeFromLastExternalCal)$$

$$OffsetError = ResidualAIOffsetError + OffsetTempco \cdot (TempChangeFromLastInternalCal) + INLError$$

$$NoiseUncertainty = \frac{Random\ Noise \cdot 3}{\sqrt{100}} \text{ for a coverage factor of } 3\sigma \text{ and averaging } 100 \text{ points.}$$

## AI Absolute Accuracy Example

Absolute accuracy at full scale on the analog input channels is determined using the following assumptions:

- TempChangeFromLastExternalCal = 10 °C
- TempChangeFromLastInternalCal = 1 °C
- number\_of\_readings = 100
- CoverageFactor = 3  $\sigma$

For example, on the 10 V range, the absolute accuracy at full scale is as follows:

$$\text{GainError} = 75 \text{ ppm} + 7.3 \text{ ppm} \cdot 1 + 5 \text{ ppm} \cdot 10 = 132 \text{ ppm}$$

$$\text{OffsetError} = 20 \text{ ppm} + 34 \text{ ppm} \cdot 1 + 76 \text{ ppm} = 130 \text{ ppm}$$

$$\text{NoiseUncertainty} = \frac{229 \mu\text{V} \cdot 3}{\sqrt{100}} = 68.7 \mu\text{V}$$

$$\text{AbsoluteAccuracy} = 10 \text{ V} \cdot (\text{GainError}) + 10 \text{ V} \cdot (\text{OffsetError}) + \text{NoiseUncertainty} = 2,690 \mu\text{V}$$

## Analog Output

Number of channels	2
DAC resolution	16 bits
DNL	$\pm 1$ LSB
Monotonicity	16 bit guaranteed
Maximum update rate	
1 channel	250 kS/s
2 channels	250 kS/s per channel
Timing accuracy	50 ppm of sample rate
Timing resolution	50 ns
Output range	$\pm 10$ V
Output coupling	DC
Output impedance	0.2 $\Omega$
Output current drive	$\pm 2$ mA
Overdrive protection	$\pm 30$ V
Overdrive current	2.4 mA
Power-on state	$\pm 20$ mV
Power-on glitch	$\pm 1$ V for 200 ms
Output FIFO size	8,191 samples shared among channels used

Data transfers	USB Signal Stream, programmed I/O
AO waveform modes	Non-periodic waveform, periodic waveform regeneration mode from onboard FIFO, periodic waveform regeneration from host buffer including dynamic update
Settling time, full-scale step, 15 ppm (1 LSB)	32 $\mu$ s
Slew rate	5 V/ $\mu$ s
Glitch energy	
Magnitude	100 mV
Duration	2.6 $\mu$ s

## AO Absolute Accuracy (Warranted)

Absolute accuracy at full-scale numbers is valid immediately following internal calibration and assumes the device is operating within 10 °C of the last external calibration.



**Note** Accuracies listed are valid for up to one year from the device external calibration.



**Note** The input/output channels of this device are not protected for electromagnetic interference due to functional reasons. As a result, this device may experience reduced measurement accuracy or other temporary performance degradation when connected cables are routed in an environment with radiated or conducted radio frequency electromagnetic interference. To ensure that this device functions within specifications in its operational electromagnetic environment and to limit radiated emissions, care should be taken in the selection, design, and installation of measurement probes and cables.

**Table 2.** AO Absolute Accuracy

Nominal Range Positive Full Scale (V)	Nominal Range Negative Full Scale (V)	Residual Gain Error (ppm of Reading)	Gain Tempco (ppm/°C)	Residual Offset Error (ppm of Range)	Offset Tempco (ppm of Range/°C)	Absolute Accuracy at Full Scale ( $\mu$ V)
10	-10	90	11	60	12	3,512

Reference tempco	5 ppm/°C
INL error	128 ppm of range

## AO Absolute Accuracy Equation

$$\text{AbsoluteAccuracy} = \text{OutputValue} \cdot (\text{GainError}) + \text{Range} \cdot (\text{OffsetError})$$

$$\text{GainError} = \text{ResidualGainError} + \text{GainTempco} \cdot (\text{TempChangeFromLastInternalCal}) + \text{ReferenceTempco} \cdot (\text{TempChangeFromLastExternalCal})$$

$$\text{OffsetError} = \text{ResidualOffsetError} + \text{AOOffsetTempco} \cdot (\text{TempChangeFromLastInternalCal}) + \text{INLError}$$

## Digital I/O and PFI

---

### Static Digital I/O Characteristics

Number of digital input channels	4 (PFI <0..3>/P0.<0..3>)
Number of digital output channels	4 (PFI <4..7>/P1.<0..3>)
Ground reference	D GND
Pull-down resistor	47 kΩ ±1%
Input voltage protection	±20 V on up to 8 pins <sup>1</sup>

### PFI Functionality

PFI <0..3>/Port 0	
Functionality	Static digital input, timing input
Debounce filter settings	125 ns, 6.425 μs, 2.56 ms, disable; high and low transitions; selectable per input
PFI <4..7>/Port 1	
Functionality	Static digital output, timing output
Timing output sources	Many AI, AO, counter timing signals

### Maximum Operating Conditions

I <sub>OL</sub> output low current	16 mA maximum
I <sub>OH</sub> output high current	-16 mA maximum

---

<sup>1</sup> Stresses beyond those listed under *Input voltage protection* may cause permanent damage to the device.

## Digital Input Characteristics

Level	Minimum	Maximum
$V_{IL}$ input low voltage	0 V	0.8 V
$V_{IH}$ input high voltage	2 V	5.25 V
$I_{IL}$ input low current ( $V_{in} = 0$ V)	-	-10 $\mu$ A
$I_{IH}$ input high current ( $V_{in} = 5$ V)	-	120 $\mu$ A

## Digital Output Characteristics

Parameter	Voltage Level	Current Level
$V_{OL}$	0.6 V	6 mA
$V_{OH}$	2.7 V	-16 mA
$V_{OH}$	3.8 V	-6 mA

## General-Purpose Counters/Timers

Number of counter/timers	2
Resolution	32 bits
Counter measurements	Edge counting, pulse, semi-period, period, two-edge separation
Position measurements	X1, X2, X4 quadrature encoding with Channel Z reloading; two-pulse encoding
Output applications	Pulse, pulse train with dynamic updates, frequency division, equivalent time sampling
Internal base clocks	80 MHz, 20 MHz, 0.1 MHz
External base clock frequency	0 MHz to 20 MHz
Base clock accuracy	50 ppm
Inputs	Gate, Source, HW_Arm, Aux, A, B, Z, Up_Down
Routing options for inputs	PFI <0..3>, many internal signals
FIFO	1,023 samples
Data transfers	USB Signal Stream, programmed I/O



# Frequency Generator

---

Number of channels	1
Base clocks	10 MHz, 100 kHz
Divisors	1 to 16
Base clock accuracy	50 ppm

Output can be available on any output PFI terminal.

# External Digital Triggers

---

Source	PFI <0..3>
Polarity	Software-selectable for most signals
Analog input function	Start Trigger, Reference Trigger, Pause Trigger, Sample Clock, Convert Clock, Sample Clock Timebase
Analog output function	Start Trigger, Pause Trigger, Sample Clock, Sample Clock Timebase
Counter/timer function	Gate, Source, HW_Arm, Aux, A, B, Z, Up_Down

# Bus Interface

---

USB	USB 2.0 Hi-Speed or full-speed <sup>2</sup>
USB Signal Stream	4, can be used for analog input, analog output, counter/timer 0, counter/timer 1

# Current Limits

---

+5 V terminal as output <sup>3</sup>	
Voltage	4.6 V to 5.2 V
Current (internally limited)	50 mA maximum, shared with digital outputs

---

<sup>2</sup> If you are using an USB M Series device in full-speed mode, device performance will be lower and you will not be able to achieve maximum sample/update rates.

<sup>3</sup> These devices have a self-resetting fuse that opens when current exceeds this specification.

+5 V terminal as input<sup>3</sup>

Voltage	4.75 V to 5.35 V
Current	350 mA maximum, self-resetting fuse



**Caution** Do *not* exceed 16 mA per DIO pin.

Protection	±10 V
------------	-------

## Power Requirements

Input voltage on USB port	4.5 V to 5.25 V in configured state
Maximum inrush current	500 mA
No load typical current	320 mA at 4.5 V
Maximum load	
Typical current	400 mA at 4.5 V
Suspend current	260 µA typical

## Physical Characteristics

Dimensions (includes connectors)	16.9 cm × 9.4 cm × 3.1 cm (6.65 in. × 3.70 in. × 1.20 in.)
Weight	206 g (7.2 oz)
I/O connectors	2 16-position combicon
USB connector	Series B receptacle
Screw terminal wiring	16 AWG to 28 AWG
Torque for screw terminals	0.22 N · m to 0.25 N · m (2.0 lb · in. to 2.2 lb · in.)

To clean the device, wipe with a dry towel.

## Calibration

Recommended warm-up time	15 minutes
Calibration interval	1 year

# Environmental

---

Operating temperature	0 °C to 45 °C
Storage temperature	-20 °C to 70 °C
Humidity	10% RH to 90% RH, noncondensing
Maximum altitude	2,000 m
Pollution Degree	2

Indoor use only.

## Safety Voltages

---

Connect only voltages that are below these limits.

### Channel-to-earth ground<sup>4</sup>

Continuous	≤60 VDC Measurement Category I
Withstand	≤1,000 Vrms, verified by a 5 s dielectric withstand test
Analog channel-to-AI GND or AO GND (in the following figure, $ V_a - V_c $ )	≤11 V, Measurement Category I
Digital channel-to-D GND (in the following figure, $ V_b - V_c $ )	≤5.25 V, Measurement Category I

Measurement Category I is for measurements performed on circuits not directly connected to the electrical distribution system referred to as MAINS voltage. MAINS is a hazardous live electrical supply system that powers equipment. This category is for measurements of voltages from specially protected secondary circuits. Such voltage measurements include signal levels, special equipment, limited-energy parts of equipment, circuits powered by regulated low-voltage sources, and electronics.



**Caution** This device is rated for Measurement Category I and the voltage across the isolation barrier is limited to no greater than 30 Vrms/60 VDC/42.4 V<sub>pk</sub> continuous. Do not use for measurements within Measurement Categories CAT II, CAT III, or CAT IV.



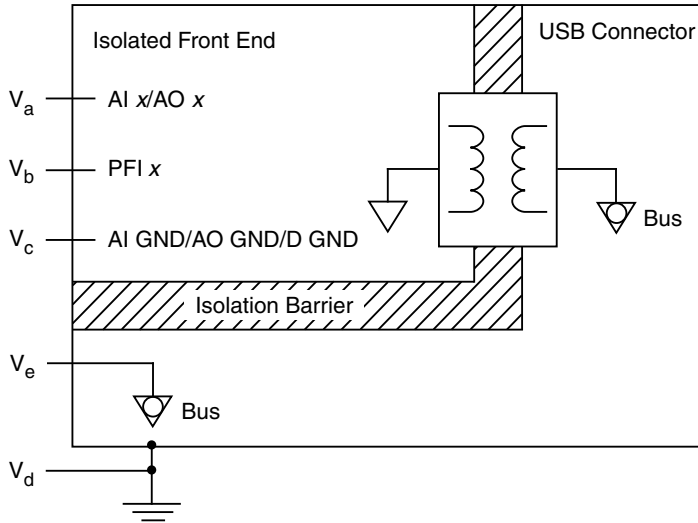
**Note** Measurement Categories CAT I and CAT O (Other) are equivalent. These test and measurement circuits are not intended for direct connection to the MAINS building installations of Measurement Categories CAT II, CAT III, or CAT IV.

The following figure illustrates the safety voltages specifications.

---

<sup>4</sup> In the figure,  $|V_a - V_d|$ ,  $|V_b - V_d|$ , and  $|V_c - V_d|$ .

**Figure 3. USB-6215 Safety Voltages**



## Safety

This product is designed to meet the requirements of the following electrical equipment safety standards for measurement, control, and laboratory use:

- IEC 61010-1, EN 61010-1
- UL 61010-1, CSA C22.2 No. 61010-1



**Note** For UL and other safety certifications, refer to the product label or the [Online Product Certification](#) section.

## Electromagnetic Compatibility

This product meets the requirements of the following EMC standards for electrical equipment for measurement, control, and laboratory use; for radio equipment; and for telecommunication terminal equipment:

- EN 61326-1 (IEC 61326-1): Class A emissions; Basic immunity
- EN 55011 (CISPR 11): Group 1, Class A emissions
- EN 55022 (CISPR 22): Class A emissions
- EN 55024 (CISPR 24): Immunity
- AS/NZS CISPR 11: Group 1, Class A emissions
- AS/NZS CISPR 22: Class A emissions

- FCC 47 CFR Part 15B: Class A emissions
- ICES-001: Class A emissions



**Note** In the United States (per FCC 47 CFR), Class A equipment is intended for use in commercial, light-industrial, and heavy-industrial locations. In Europe, Canada, Australia and New Zealand (per CISPR 11) Class A equipment is intended for use only in heavy-industrial locations.



**Note** Group 1 equipment (per CISPR 11) is any industrial, scientific, or medical equipment that does not intentionally generate radio frequency energy for the treatment of material or inspection/analysis purposes.



**Note** For EMC declarations and certifications, and additional information, refer to the [Online Product Certification](#) section.

## CE Compliance

---

This product meets the essential requirements of applicable European Directives, as follows:

- 2014/35/EU; Low-Voltage Directive (safety)
- 2014/30/EU; Electromagnetic Compatibility Directive (EMC)
- 2011/65/EU; Restriction of Hazardous Substances (RoHS)

## Online Product Certification

---

Refer to the product Declaration of Conformity (DoC) for additional regulatory compliance information. To obtain product certifications and the DoC for this product, visit [ni.com/certification](https://ni.com/certification), search by model number or product line, and click the appropriate link in the Certification column.

## Environmental Management

---

NI is committed to designing and manufacturing products in an environmentally responsible manner. NI recognizes that eliminating certain hazardous substances from our products is beneficial to the environment and to NI customers.

For additional environmental information, refer to the *Minimize Our Environmental Impact* web page at [ni.com/environment](https://ni.com/environment). This page contains the environmental regulations and directives with which NI complies, as well as other environmental information not included in this document.

# Waste Electrical and Electronic Equipment (WEEE)



**EU Customers** At the end of the product life cycle, all NI products must be disposed of according to local laws and regulations. For more information about how to recycle NI products in your region, visit [ni.com/environment/weee](http://ni.com/environment/weee).

## 电子信息产品污染控制管理办法（中国 RoHS）



**中国客户** National Instruments 符合中国电子信息产品中限制使用某些有害物质指令 (RoHS)。关于 National Instruments 中国 RoHS 合规性信息，请登录 [ni.com/environment/rohs\\_china](http://ni.com/environment/rohs_china)。(For information about China RoHS compliance, go to [ni.com/environment/rohs\\_china](http://ni.com/environment/rohs_china).)

Information is subject to change without notice. Refer to the *NI Trademarks and Logo Guidelines* at [ni.com/trademarks](http://ni.com/trademarks) for information on NI trademarks. Other product and company names mentioned herein are trademarks or trade names of their respective companies. For patents covering NI products/technology, refer to the appropriate location: **Help»Patents** in your software, the `patents.txt` file on your media, or the *National Instruments Patent Notice* at [ni.com/patents](http://ni.com/patents). You can find information about end-user license agreements (EULAs) and third-party legal notices in the `readme` file for your NI product. Refer to the *Export Compliance Information* at [ni.com/legal/export-compliance](http://ni.com/legal/export-compliance) for the NI global trade compliance policy and how to obtain relevant HTS codes, ECCNs, and other import/export data. NI MAKES NO EXPRESS OR IMPLIED WARRANTIES AS TO THE ACCURACY OF THE INFORMATION CONTAINED HEREIN AND SHALL NOT BE LIABLE FOR ANY ERRORS. U.S. Government Customers: The data contained in this manual was developed at private expense and is subject to the applicable limited rights and restricted data rights as set forth in FAR 52.227-14, DFAR 252.227-7014, and DFAR 252.227-7015.

© 2015—2017 National Instruments. All rights reserved.

375197D-01 September 25, 2017